

NOTE: ALL MATERIAL COMPLIANT ROHS STANDARD

REVISION INFORMATION

Rev.	Rev. Date	Modified By	Brief Description
1.0	2021/07/12	Darrick	Change lable and LSZH Jacket

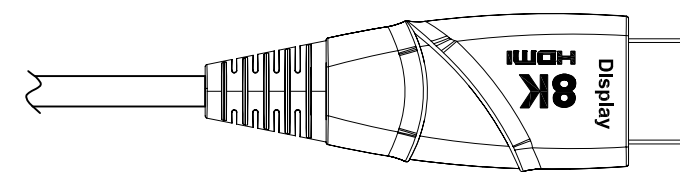
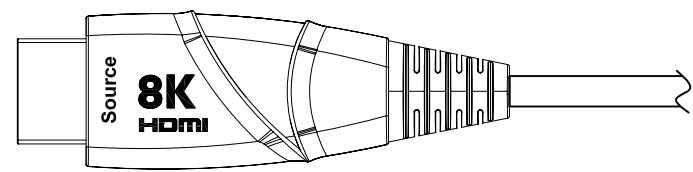
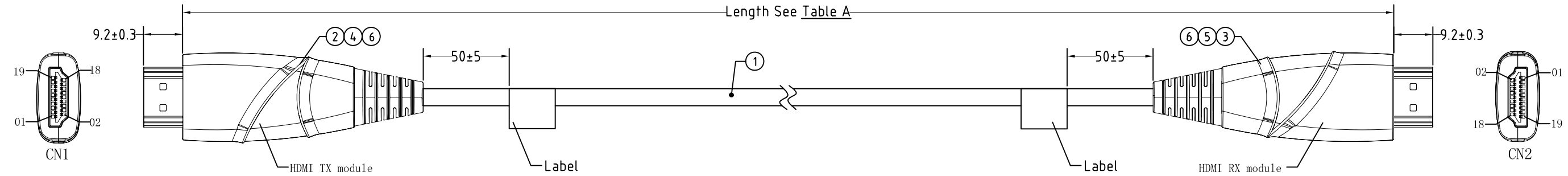
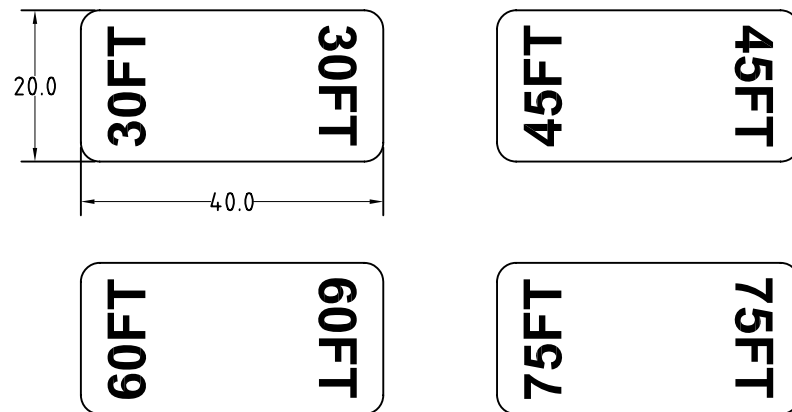


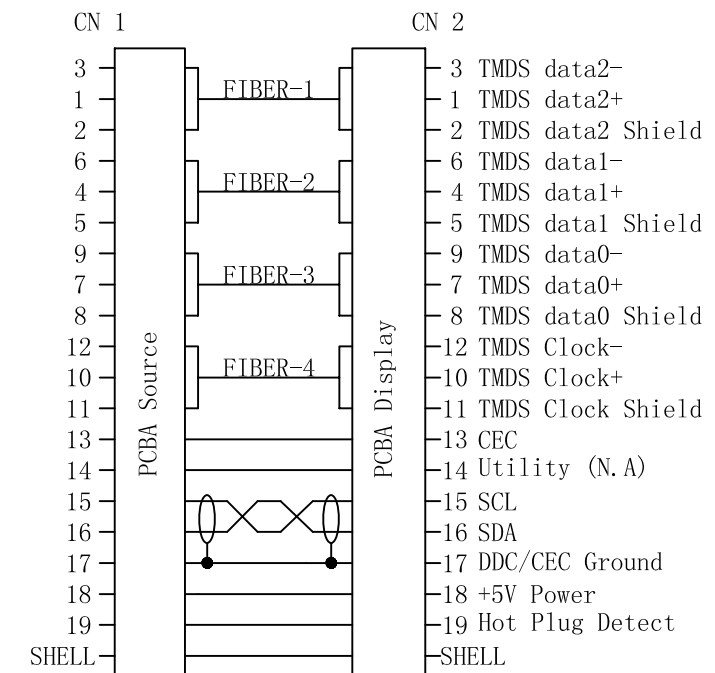
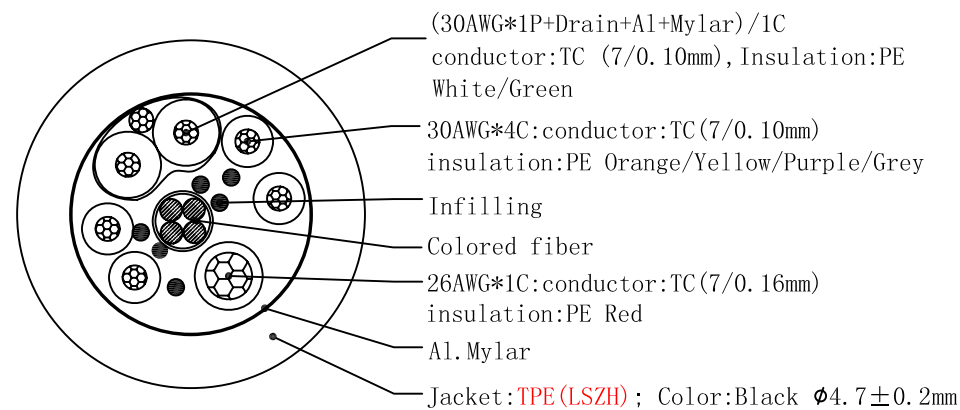
Table A

Part#	Product length(m)
181483	30ft [9140±200mm]
181484	45ft [13710±300mm]
181485	60ft [18300±300mm]
181486	75ft [22860±300mm]

Label:
Size: 40x20mm



Wire Details



- NOTE:
- ELECTRICAL TEST:(100% real machine transmission test)
 - SOUCE "meets HDMI TX module, stands for firing."
 - Display "meets HDMI RX module, stands for receive."
 - 100% by 4320P(7680*4320 60HZ)
 - Support HDCP2.2; eARC, 3D;
 - Maximum transmission bandwidth 48Gbps
 - RoHS+REACH Compliant;

NO.	PART NAME	SPECIFICATION DESCRIPTION	QTY	UNIT
①	Cable	(Fiber x 4C)*1C+(30#TA*1P+D+A)*1C+30#TA*4C+26#TA*1C+F+A OD4.7mm		
②	HDMI_Conn	8K HDMI AM TX transmitter module, HDMI gold-plated copper plated connector terminal with pad PCB		
③	HDMI_Conn	8K HDMI AM RX receiver module, HDMI gold-plated copper plated connector terminal with pad PCB		
④	Shell	HDMI AM upper and lower zinc alloy shell, radium carving, "HDMI", "8K", "Source"		
⑤	Shell	HDMI AM upper and lower zinc alloy shell, radium carving, "HDMI", "8K", "Display"		
⑥	SR-Mold	PVC,Black		

Unless specified on the drawing, tolerances are per the follows:

.	+1
.x	+0.2
.xx	+0.05

DRAWN BY	DATE: 2021/07/12	DESCRIPTION: HAMI 2.1 AOC M-M Cable
CHECKED BY	SHEET 1 of 2	ITEM NO. 181483~181486
APPROVED BY	SCALE None	REV. 1.0 UNIT:mm